

ZGSM-GS04-100B

Introducing a New Premium Experience



CE CB RoHS Ex

LM-79 LM-80 IK10 IP66 TM-21




Specifications

Electrical Specifications:

Model No.	ZGSM-GS04-100B
Nominal Wattage	100W
Nominal Voltage	AC 100-240V /277V, 50/60Hz
LED Brand	Lumileds, LUXEON 3030 2D
Driver Brand	Inventronics, EUM-100S105DG
Optional Function	NTC, OLC
Operating Temperature	-40 °C to +50 °C
Power Factor (PF)	> 0.95
THD	< 15
Protection	Class I

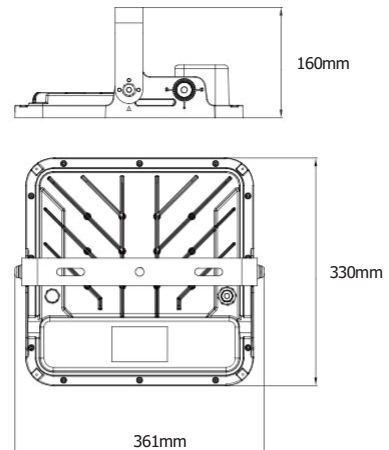
Photometric Specifications:

Lumen Output	16000 lm ($\pm 5\%$)
Optic	Type III, T3S53003
CRI	Ra>70
CCT	

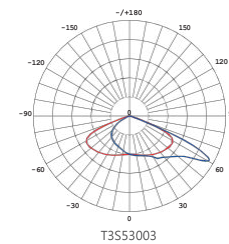
Mechanical Specifications:

Ratings	IP66, IK10
Lifetime	> 100,000 hours -L ₉₀ , @25 °C (77 °F)
Body	High pressure die-cast aluminum
Housing color	RAL 9005
Cover	Tempered glass
Lens	UV-resistant Polycarbonate
Fixture Dimension	361 x330 x160 mm
Packing Dimension	380 x380 x150 mm
Fixture Weight	4.0 kg
Packing Weight	4.6 kg

Drawing



Light Distribution Options



Optional accessories:



Extra 10KV SPD