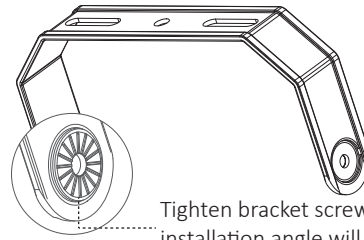


**IMPORTANT SAFEGUARDS**

When using electrical equipment, basic safety precautions should always be followed including the following.

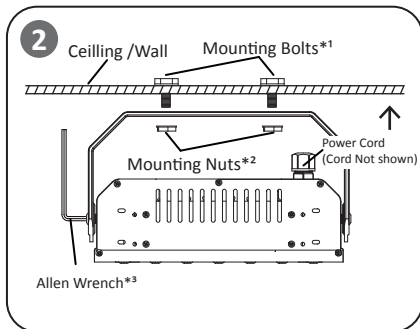
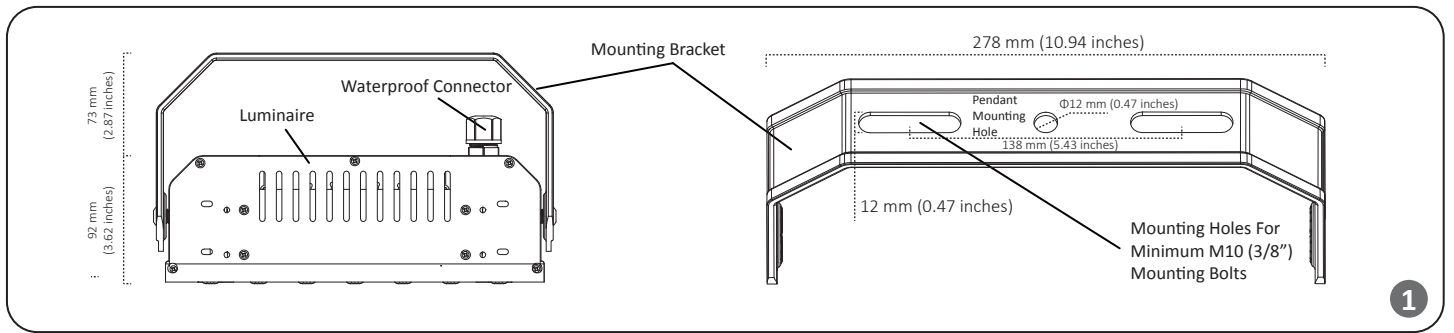
Number of Modules	Power(w)	Dimension(mm) [High Bay Light/ Flood Light/ Tunnel Light]	Weight(kg) [High Bay Light/ Flood Light/ Tunnel Light]
1	40/50/60	166*270*165/ 166*270*190/ 166*270*165	2.3/ 2.4/ 2.3
2	80/100/120	239*270*165/ 239*270*227/ 239*270*165	3.5/ 3.6/ 3.5
3	120/150/180	312*270*165/ 312*270*263/ 312*270*165	4.4/ 4.6/ 4.4
4	160/200/240	385*270*165/ 385*270*300/ 385*270*165	5.2/ 5.4/ 5.2
5	200/240	458*270*165/ 458*270*336/ --	6.1/ 6.3/--
6	240	531*270*165/ 531*270* 373/ --	6.8/ 7.1/ --

100-240V/277V AC, 50/60Hz, Suitable for Wet Locations (IP66), Class I  
 \*This product must be grounding

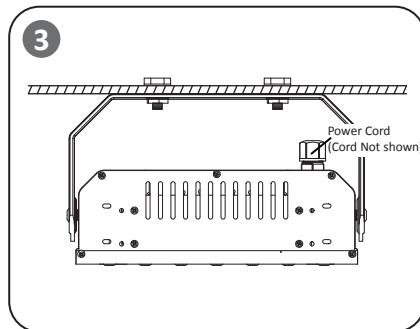


Tighten bracket screws on both sides, luminaire installation angle will be fixed by the lock gear.

**TO INSTALL:**



\*1 Minimum M10 (3/8") Bolts (not-provided)  
 \*2 Mounting Nuts are not provided  
 \*3 Allen Wrench: 8mm (5/16")

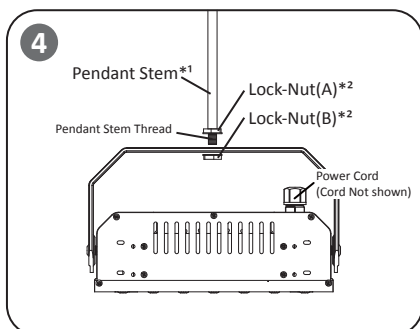


**STANDARD MOUNTING (High Bay Lights)**

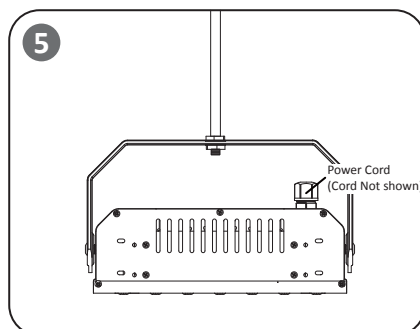
**STEP 1:** Assemble the mounting bracket to the fixture by provided M10 (3/8") round head screws.

**STEP 2:** Attach Lock-Nut(A) to the bottom of the Pendant Stem. Attach Lock-Nut(B) by holding the interjacent Fixture Bracket and tightening Lock-Nut(B) until secure. See **Figure 4**.

**STEP 3:** Loosen the mounting bracket screws, adjust the fixture to desire position, re-secure the screws.

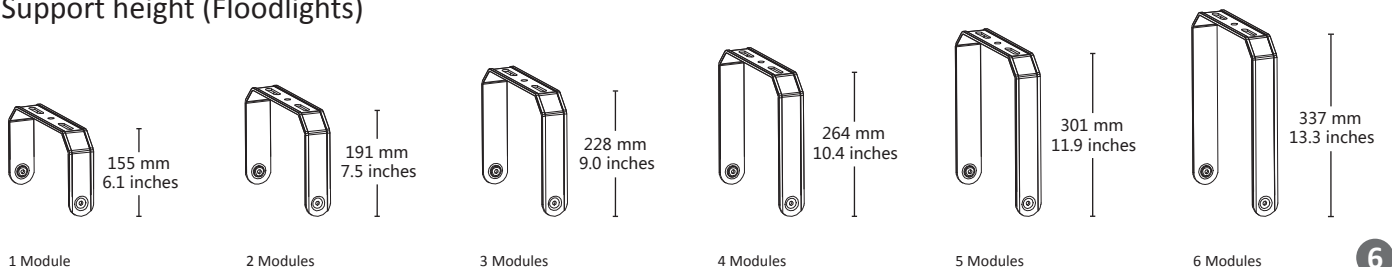


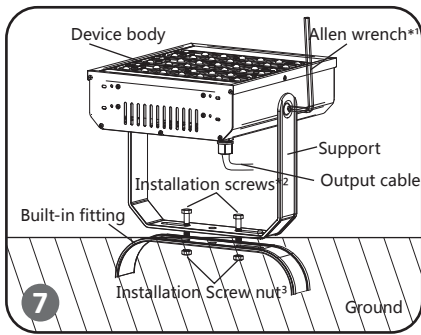
\*1 Pendant Stem can not be the soft material (not-provided)  
 \*2 Look Nuts are not provided



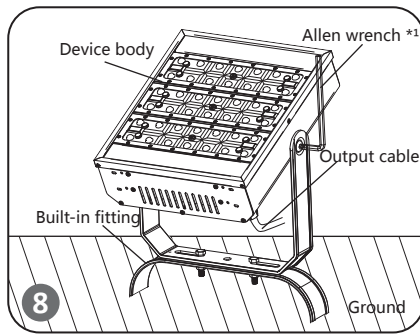
**STEP 4:** Connect the **Power Cord** to the supply wiring per "**Electrical Connections**" section for completing electrical connections.

**Support height (Floodlights)**





- \*1 Allen wrench: 8mm(5/16")
- \*2 Minimum M10(3/8") screws (Not provided)
- \*3 Screw nuts (Not provided)



## STANDARD MOUNTING (Floodlights)

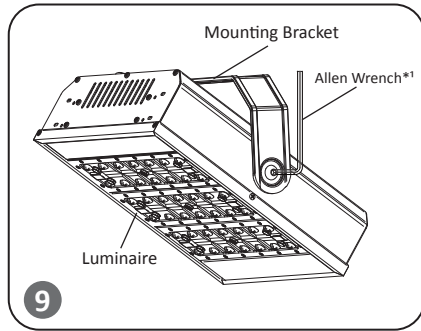
### STEP 1:

Use an Allen wrench to fix the body and the support (is not necessary to tighten the screws too hard). Align support and built-in fitting, tighten the screws as **Figure6**.

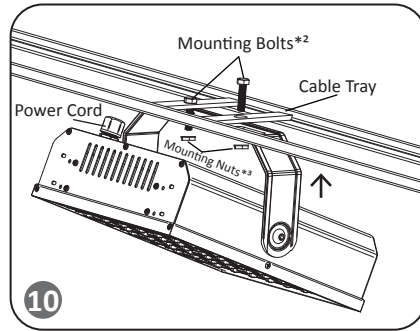
Align support and built-in fitting, tighten the screws as **Figure7**.

### STEP 2:

Settle in the adequate angle position and use Allen screw to fix it as **Figure8**. Connect wire.



- \*1 Allen Wrench: 8mm (5/16")
- \*2 Minimum M10 (3/8") Bolts (not-provided)
- \*3 Mounting Nuts are not provided



## STANDARD MOUNTING (Tunnel Lights)

### STEP 1:

Adjust first the bracket position, to a needed installation angle, then use the wrench to fix the bracket, as shown in **Figure9**.

### STEP 2:

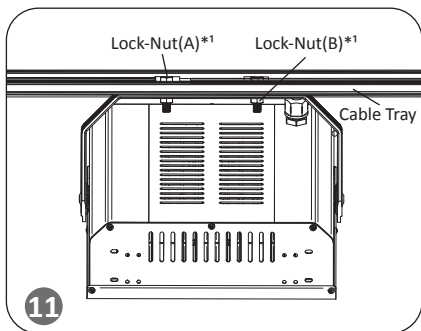
Hold up the fixture, align the screw holes of the fixture and the installation bridge, as shown in **Figure10**.

### STEP 3:

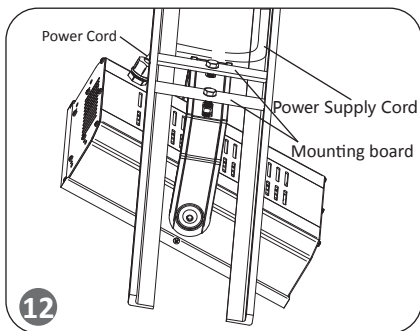
Use tool to tighten the screws on the bracket, as shown in **Figure11**.

### STEP 4:

The corresponding connection, as shown in **Figure12**.



- \*1 Lock Nuts are not provided
- \*2 Customize the Mounting board according to actual requirements.



## IMPORTANT

Check whether it concerns an AC(Alternating Current) based system - 100-240V/277V AC, 50/60Hz.

## ELECTRICAL CONNECTIONS - 100-240V/277V AC, 50/60Hz

### PHASE TO NEUTRAL WIRING

## AC BASED

#### STEP 1:

Make the following Electrical Connections:

- a. Connect **INPUT GROUND** conductor to **GREEN WIRE** position of the terminal block or GROUND conductor of LED driver.
- b. Connect **INPUT VOLTAGE** conductor to **BROWN WIRE** position of the terminal block or LIVE conductor of LED driver.
- c. Connect **INPUT NEUTRAL** conductor to **BLUE WIRE** position of the terminal block or NEUTRAL conductor of LED driver.

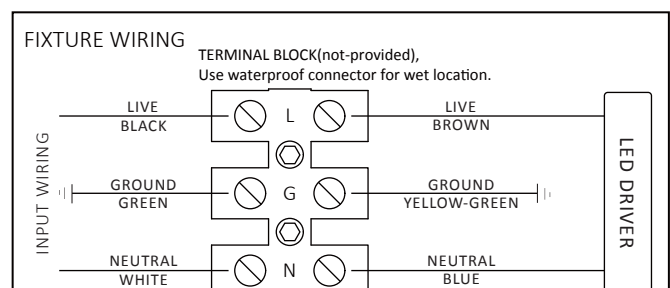
#### STEP 2:

Make sure all the connection are correct.

#### STEP 3:

If the fixture without a terminal block, please insulate all electrical connections with wire nuts suitable for at least 90°C.

Input cable should be at least H05RN-F 3x1.0mm<sup>2</sup>(SJTW 18AWG) or outdoor grade cable with rubber sheathed(not supplied). The cable must have a minimum cross sectional area of 1.0mm<sup>2</sup>(18AWG).



\*If the fixture with built-in 3 in 1 dimming function, please connect INPUT POSITIVE(+) signal conductor to DIM+ (BLUE WIRE), INPUT NEGATIVE(-) signal conductor to DIM-(WHITE WIRE) of LED driver.

\*The junction box should have the same electrical hazard protection grade and IP rating with the luminaire.



- 1.To avoid the possibility of electrical shock, turn off power supply before installation or servicing. Installation and servicing should be performed by qualified personnel.
- 2.Product must be installed in accordance with your local electrical code. If you are not familiar with these codes and requirements, consult a qualified electrician.
- 3.Do not change the structure or any components of the fixture to ensure safety.
- 4.Lock the installation angle after luminaire installed. As following figure.