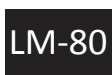


# UFO-SERIES



## LED BAY LIGHTS



**Ring Mounted**



**Bracket Mounted**



**Motion sensor**



The ZGSM® UFO-Series LED bay lights are using LUMILEDS® LUXEON luminous source, providing excellent lumen output, long-lasting stability and splendid sight.

The ZGSM® UFO-Series LED bay lights are using high-end MeanWell LED driver with long lifespan. Provide 5 years warranty on luminaire.

### Color Options

■ black

### HIGH-EFFICACY LED LIGHT SOURCE



**Lumileds 3030 2D**  
Greater than 165lm/W high efficacy, illumination grade LED light source.



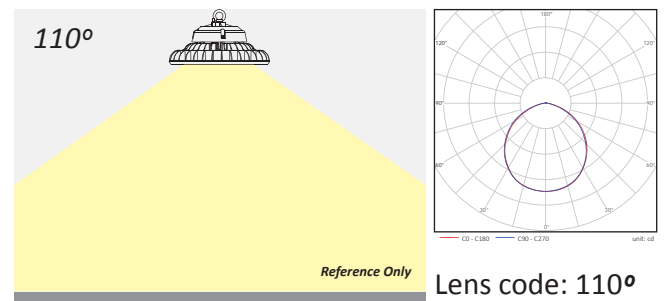
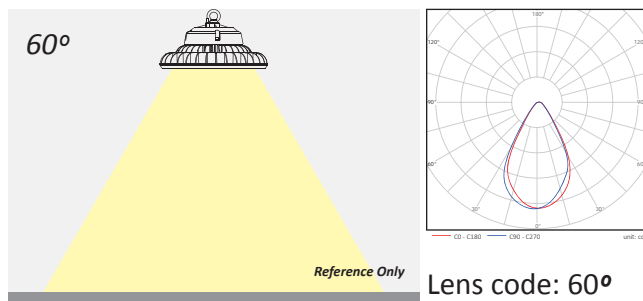
**Lumileds 5050**  
Greater than 185lm/W high efficacy, illumination grade LED light source.

### HIGH-END LED DRIVER



High-end MeanWell HBG Series LED driver, optimal stability, performance and lifespan.

### Optics



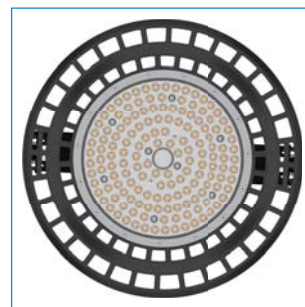
### Design Features



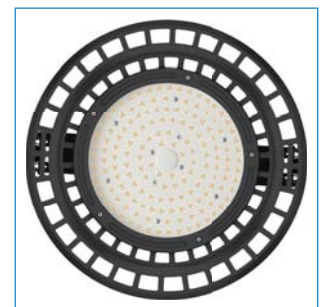
180°adjustable bracket is available.



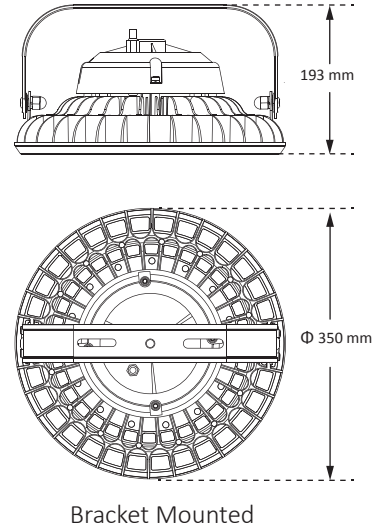
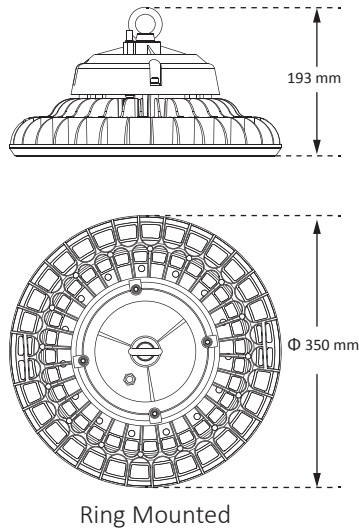
Excellent thermal management system and heat radiation enable the LEDs consistently work cooler, providing significant boosts to lifetime and efficacy.



Professional lens design with 60 degrees.



Utilize high permeability tempered glass, providing the best lumen output of the luminaire.



### Electrical & Photometric

#### ★ 3030 Version

Series	Model	LED Qty/ Current	Power	Luminaire efficacy (+/- 5%)	Lumen Output (+/- 5%)	Input Voltage	LED Brand	Driver Brand	Beam Angle	CCT (K)	Lifetime (h)
UFO	ZGSM-UFO100M	152units/ 105mA	100W	140 lm /w	14000 lm	100-240V /277V AC 50 /60Hz	Lumileds 3030 2D	MeanWell	60° (PC Lens) 110° (Tempered Glass)	3000*	>100,000 (L70)
	ZGSM-UFO160M	240units/ 107mA	160W	140 lm /w	22400 lm					4000	
	ZGSM-UFO200M	304units/ 104mA	200W	140 lm /w	28000 lm					5000	
										5700	

\*Luminous Efficacy of 3000K is 5% lower than other CCTs.

#### ★ 5050 Version

Series	Model	LED Qty/ Current	Power	Luminaire efficacy (+/- 5%)	Lumen Output (+/- 5%)	Input Voltage	LED Brand	Driver Brand	Beam Angle	CCT (K)	Lifetime (h)
UFO	ZGSM-UFO100M	78units/ 51mA	100W	155 lm /w	15500 lm	100-240V /277V AC 50 /60Hz	Lumileds 5050	MeanWell	60° (PC Lens) 110° (Tempered Glass)	3000*	>100,000 (L70)
	ZGSM-UFO160M	122units/ 53mA	160W	155 lm /w	24800 lm					4000	
	ZGSM-UFO200M	152units/ 53mA	200W	155 lm /w	31000 lm					5000	
										5700	

\*Luminous Efficacy of 3000K is 5% lower than other CCTs.

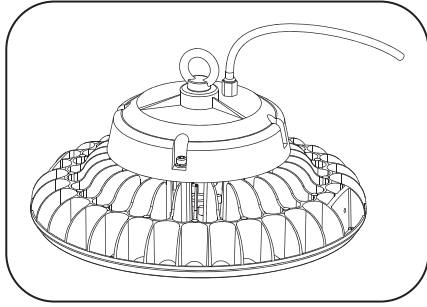
### Working Environment & Packing

Model	Product Dimensions (mm)	Carton Size (mm)	Ring mounted		Bracket mounted		Working Environment	Storage Temperature	Rating	CRI	Power Factor	Power Efficiency	Material	Accessories (Optional)
			N.W(kg)	G.W(kg)	N.W(kg)	G.W(kg)								
ZGSM-UFO100M	350*350*193	365*365*210	4.4	5.2	5.2	6.0	-40 °C ~ +50 °C 10% ~ 90%RH	-40 °C ~ +50 °C	Class I IP65 IK08	>70	>0.95	>90%	Housing: Die-cast aluminum Lens: Tempered glass /PC	Motion Sensor
ZGSM-UFO160M	350*350*193	365*365*210	5.2	6.0	6.0	6.8								
ZGSM-UFO200M	350*350*193	365*365*210	5.2	6.0	6.0	6.8								

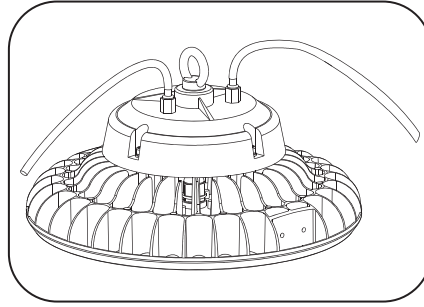
Above data of weight are all typical values.

**Smart Controls**

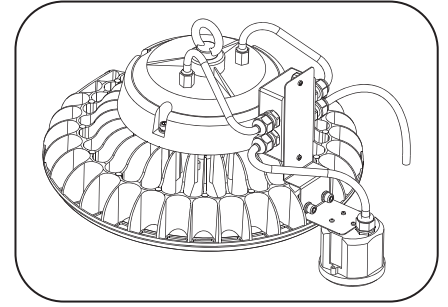
UFO comes with a variety of optional integrated controls.



Standard



1 -10 V dimmable/ DALI controlled



3 step dimming, daylight and motion sensor

**Dimming Optional**

MeanWell dimmable driver will be used if dimming function is requested. Multiple dimming functions are integrated (1-10V DC, PWM Signal or potentiometer ).

- ★ 1-10V Dimming [ All the models are available ]
- ★ PWM Dimming [ All the models are available ]
- ★ Potentiometer Dimming [ All the models are available ]

**Certification**

Manufacturer
ISO9001, ISO14001
UFO Series [ ZGSM-UFO100M, ZGSM-UFO160M, ZGSM-UFO200M. ]
CE, ROHS, LM80