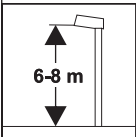
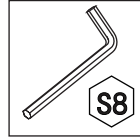
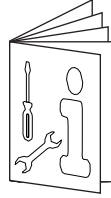


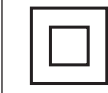
Mounting instructions

6116



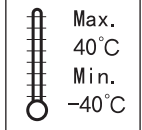
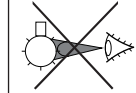
85V-305V

50Hz
60Hz



IP66

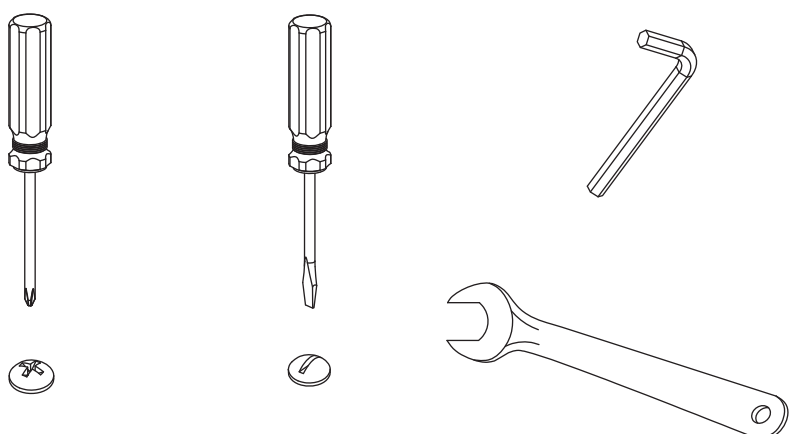
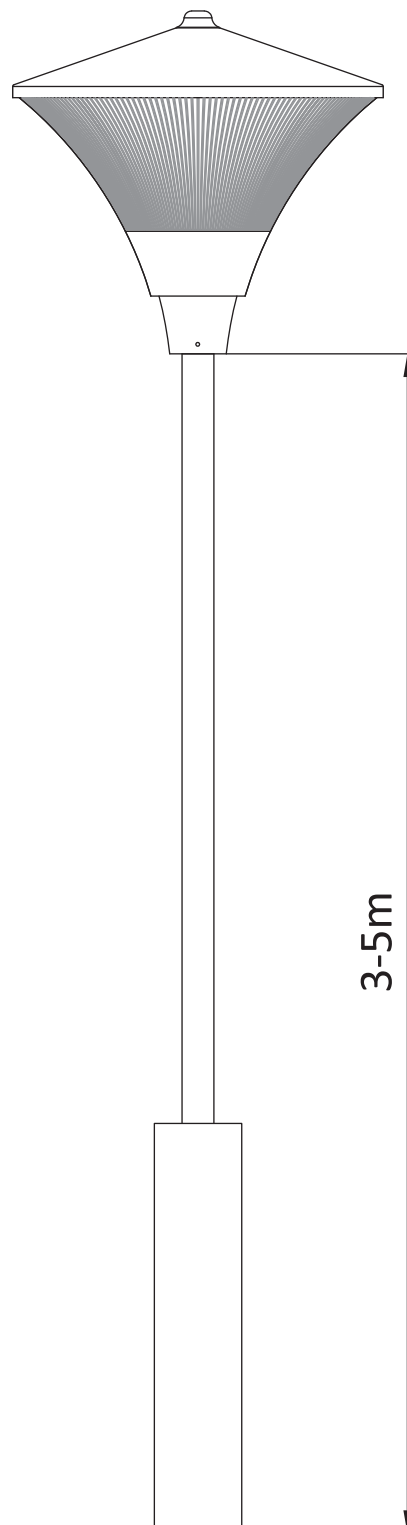
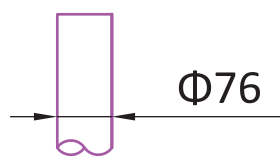
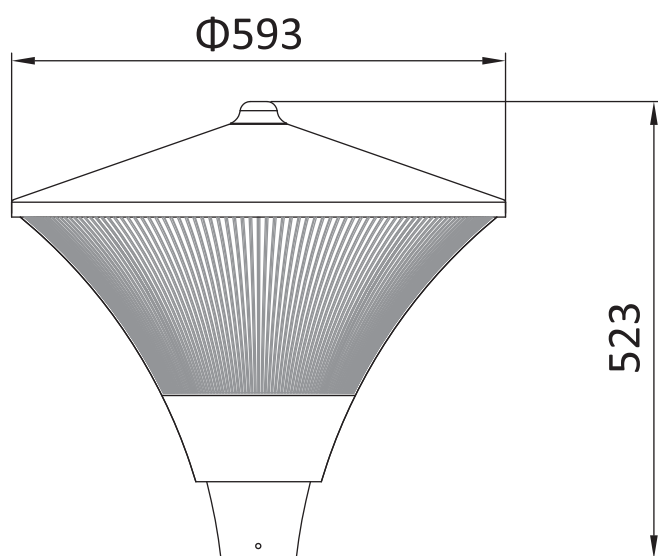
IK08



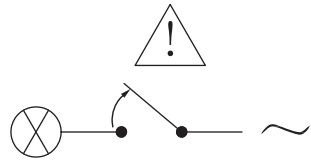
⚡ WARNING

Before proceeding with installation or service maintenance of this product.

- Disconnect power to reduce electrical shock risk.
- Review the entire Installation Guide.
- Inspect this properly packaged product for any damage that may have occurred during transit.
- Verify product application complies with manufacturer design recommendations.
- Verify the availability of necessary tools and incidental material.
- Verify applicable code requirements. Field assembly and installation are subject to acceptance by local inspection authority.
- Appropriate safety equipment to be determined by end user, per applicable safety standards and precautions.



1



2

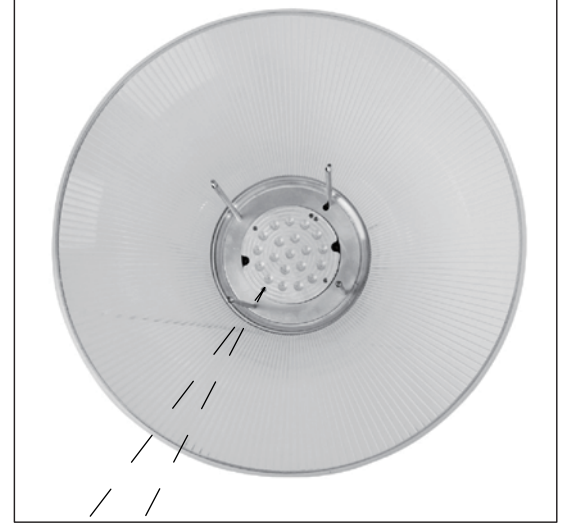
The internal electric are connected reliably
If maintenance is required, please follow the diagram



0.75-1mm
Power wire



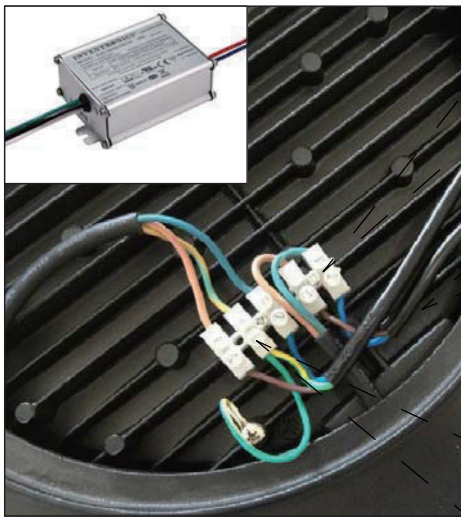
open top cover



open LED module



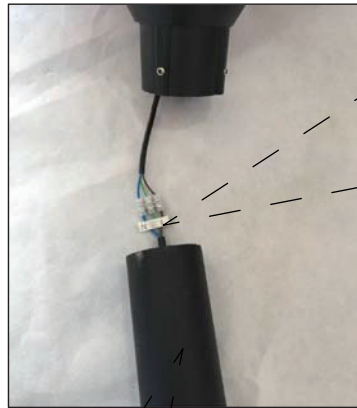
3



led -
led +

LED module

L ⊕ N

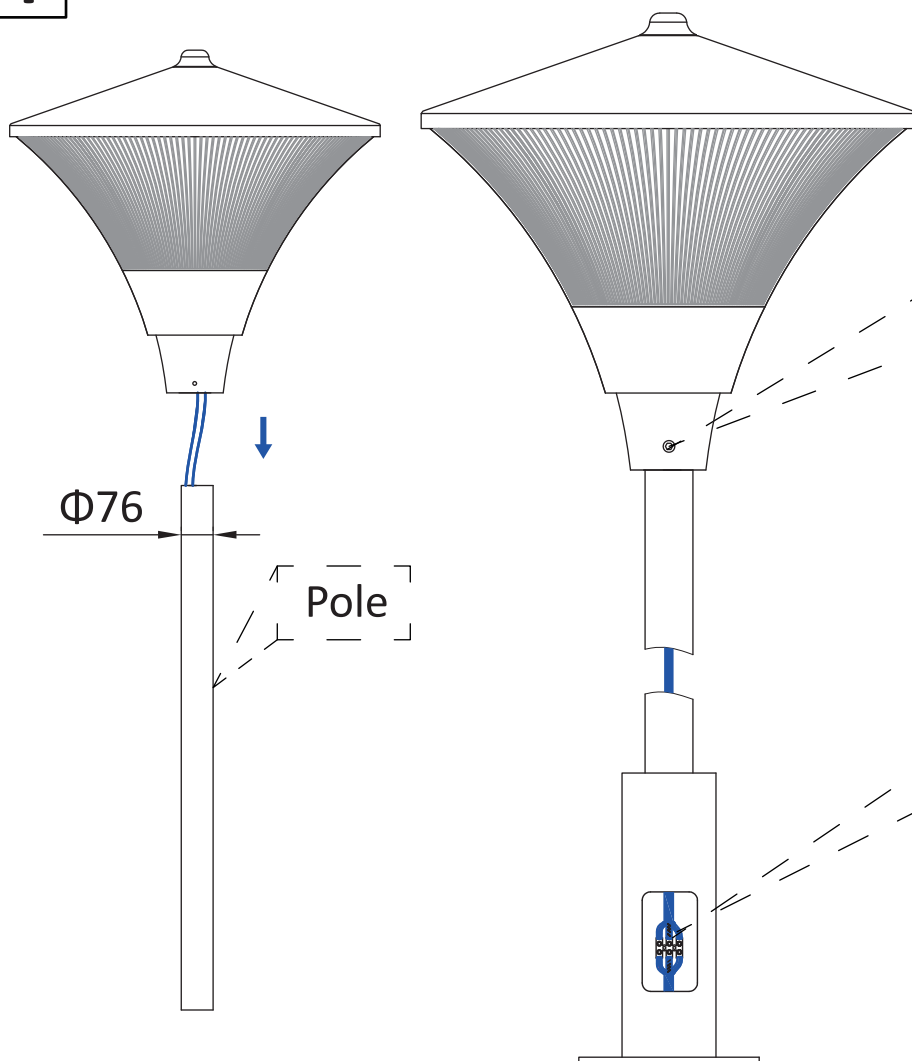


L ⊕ N

light pole



4



Pole

4-M10

15N.m⁻¹

0.75-1mm²
Power wire

25

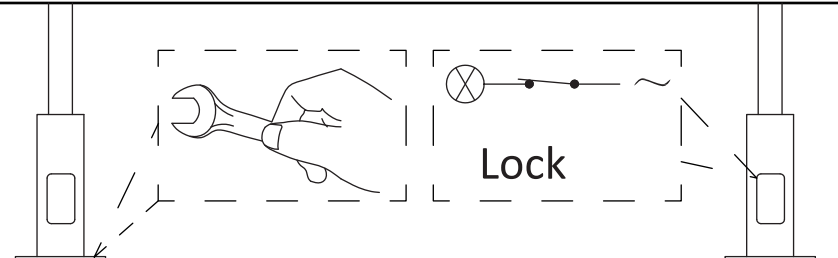
7

d=8-13



L ⊕ N

5



Lock