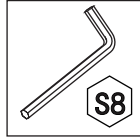
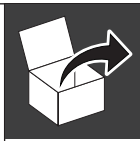


# Mounting instructions

6139

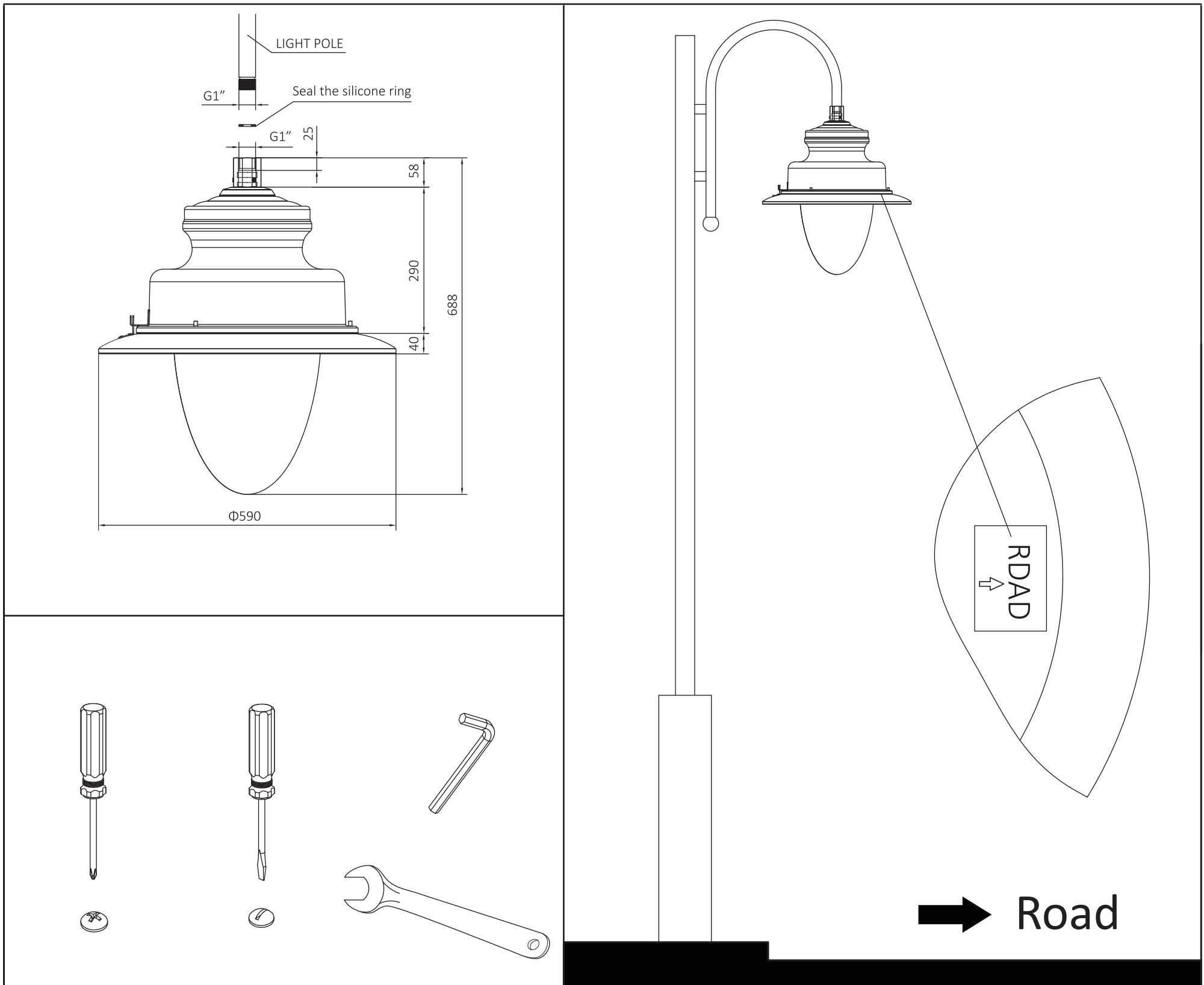


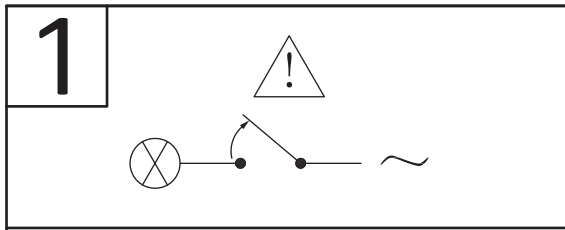
				<b>85V-305V</b>	<b>50Hz 60Hz</b>			<b>IP66</b>	<b>IK08</b>			
--	--	--	--	-----------------	----------------------	--	--	-------------	-------------	--	--	--

## ⚡ WARNING

Before proceeding with installation or service maintenance of this product.

- Disconnect power to reduce electrical shock risk.
- Review the entire Installation Guide.
- Inspect this properly packaged product for any damage that may have occurred during transit.
- Verify product application complies with manufacturer design recommendations.
- Verify the availability of necessary tools and incidental material.
- Verify applicable code requirements. Field assembly and installation are subject to acceptance by local inspection authority.
- Appropriate safety equipment to be determined by end user, per applicable safety standards and precautions.





**2** The internal electric are connected reliably  
If maintenance is required, please follow the diagram

