



LUME

Retrofit Kit for Historical Lantern

LED lighting, up to 100W, in the style of a lantern or elegant and traditional design for historic areas and monumental spaces.



Retrofit Kit



IK08



up to 185 lm/w



IP66



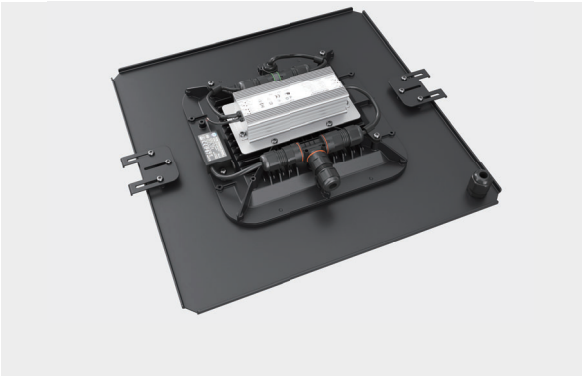
IP68
Cable Gland



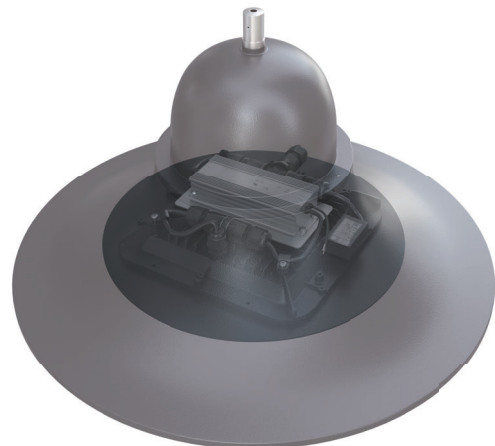
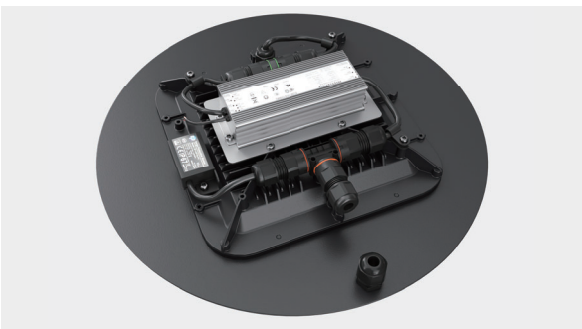
-40°C to +50°C

Upgrade core parts for efficient management. The kit includes an LED module and a customized mounting plate for existing installations, lanterns, or decorative finial fixtures.

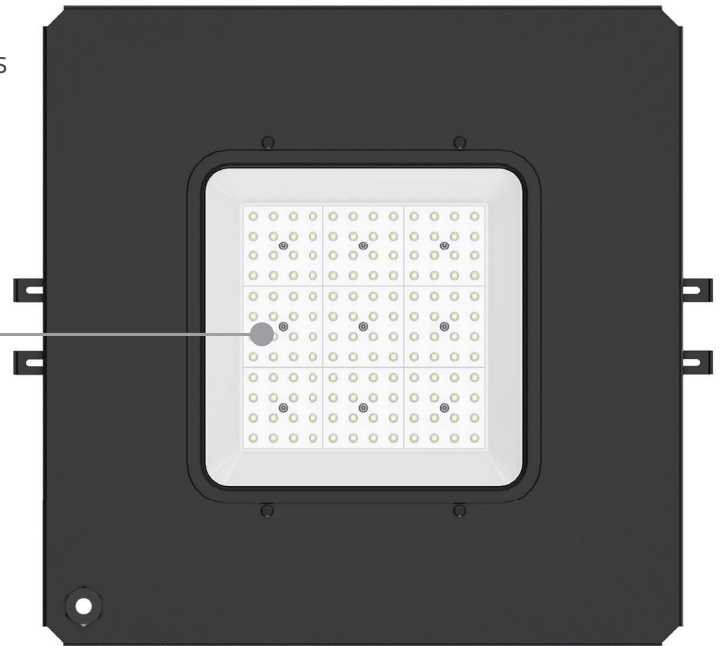
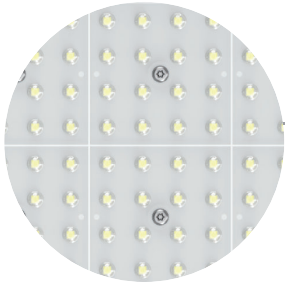
Mounting Plate-Square Type



Mounting Plate-Round Type

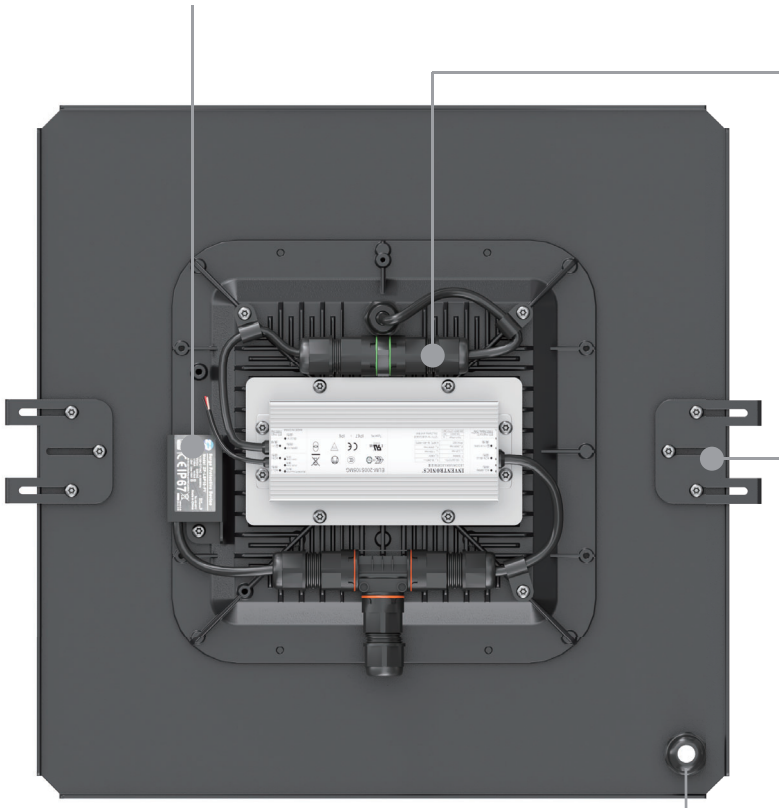


- With optical lens, PC reflector, high-transmittance optical glass, and light diffusion treatment, it makes the light irradiation to the object become more uniform and soft.



- SMD 3030 /5050, high brightness LEDs
- Various CCTs and light distributions are available.

- 10KV Surge Protection Device



- Each part is connected by IP68 waterproof connector, which is convenient for customization and supports DIY.



- Adjustable mounting plate (Square Type)



- Cable entry in the module with IP68 cable gland

Photometric Data

Model No	ZGSM-ST25-40	ZGSM-ST25-50	ZGSM-ST25-60	ZGSM-ST25-70	ZGSM-ST25-80	ZGSM-ST25-100
Nominal Wattage	40W	50W	60W	70W	80W	100W
3030 Version	Efficiency Lumen 150 lm /w 6000 lm	145 lm /w 7250 lm	160 lm /w 9600 lm	155 lm /w 10850 lm	155 lm /w 12400 lm	150 lm /w 15000 lm
5050 Version	Efficiency Lumen 160 lm /w 6400 lm	155 lm /w 7750 lm	170 lm /w 10200 lm	165 lm /w 11550 lm	170 lm /w 13600 lm	165 lm /w 16500 lm
Ultra Version	Efficiency Lumen 175 lm /w 7000 lm	170 lm /w 8500 lm	185 lm /w 11100 lm	180 lm /w 12600 lm	185 lm /w 14800 lm	180 lm /w 18000 lm

Electrical Data

Nominal Voltage	AC 100-240V /277V 50 /60Hz
LED	Lumileds /Other brands on request
Driver	Inventronics /Other brands on request
Power Factor (PF)	>0.95
THD	<15
SPD	10KV (Default) / 20KV (available on request)
Optics	Type II, Type III, Asymmetric for pedestrian crossings
CRI	Ra>70 (Default) / Ra>80
CCT	1800K, 2200K, 2700K, 3000K, 4000K, 5000K, 5700K, 6500K

General Data

Material	High pressure die-cast aluminum, Tempered glass, UV-resistant polycarbonate
Housing Color	Black (Default) /Other Colors on request
Working Environment	-40°C ~ +50°C, 10% ~90%RH
Lifespan L70 at 25 °C	>100, 000 h
Mounting Type	Side entry or Vertical pole mounted
Dimmable	1-10V Dimming (Default) /Timer Dimming /DALI Dimming
Protection Class	Class I (Default) /Class II
Mounting Plate	Round (Φ 400mm) / Square type (400 x 400mm), Shape and Size are customizable

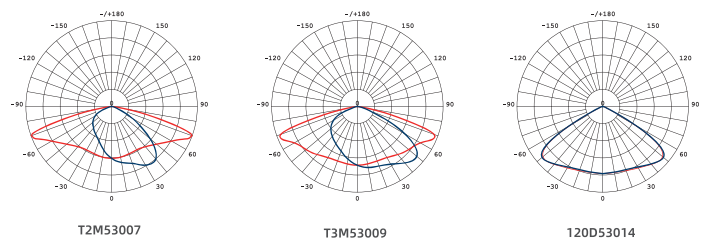
Dimensions(mm)

Light Distributions

Round Type

Square Type

3030 Version



5050 Version

